



Outline

See the difference megapixel resolution makes!

Lumenera's Le259 series of HD megapixel cameras are designed for higher-end security applications, particularly in low-light conditions and where high dynamic range is required.

Streaming full 1920x1080 resolution at 15 fps, these cameras deliver outstanding picture quality and performance. Adjustable JPEG and MJPEG compressed still-images or streaming video are provided across a standard 10/100BaseT network interface.

Lumenera has simplified IP camera installation with a straightforward plug-and-play process. Intuitive user interface viewed with most browsers provides standard camera control.

The I/O connector provides an interface to an external alarm sensor or control of peripheral equipment such as; IR lighting, strobe and PTZ. Alarm notification provides the date, time and camera IP address.

Programmable day/night settings automatically switch to enhanced low-light mode. When integrated with NIR illuminators, provides outstanding nighttime performance.

The user defined motion detection parameters across multiple zones provide more accurate triggering of alarms, while programmable privacy zones ensure compatibility with all regulations.

On-board memory buffers supply still images that precede and follow alarm events. Transfer of images via email, FTP, RTP or HTTP.

Lumenera's Le259 is provided with a larger SLR Canon Bayonet-Mount – to provide remote control of focus and iris through standard SLR lenses. Camera can be mounted stand-alone or by means of standard environmental enclosures. Call with your enclosure requirements today.

Product Features

- Outstanding HD image detail**
- Auto focus, Auto iris**
- Easy installation and set-up**
- 1000+ lines of resolution, color or monochrome, progressive scan, 2.0 megapixel, HD CCD sensor**
- 15 fps at full 1920 x 1080 resolution
30 fps at 1920 x 480 resolution**
- Feature rich camera functions:**
 - Auto White Balance & Auto Exposure**
 - Day/Night Mode**
 - Configurable Compression Ratio**
 - Multiple motion detection zones**
- I/O control of alarms, strobe, PTZ, lighting or other peripherals**
- Image transfer via HTTP, FTP, RTP, or Email**
- Camera Control via HTTP, XML-RPC, Telnet or Microsoft COM**
- Security / Password Protection**
- FCC Class B, CE Certified**
- SLR Canon Bayonet-Mount standard (call for CS and C-mount options)**
- Compatible with most Operating Systems (Windows™ 98 SE, Windows ME, Windows 2K, Windows NT and Windows XP, as well as Linux and Mac)**
- Full 1 year warranty**

Specifications

Le259

Image Sensor	16:9, 2/3" format, color or mono
Effective Pixels	1920 x 1080, 7.4µm square pixels
Frame Rate	15 fps at 1920 x 1080, 30 fps at 1920 x 480
Dynamic Range	64dB
Sensitivity	<0.5 lux at F1.0
Auto Focus	Automatic / Manual (when used with SLR lens)
Auto Iris	Automatic / Manual (when used with SLR lens)
Auto Exposure	Automatic / Manual
White Balance	Automatic / Manual
Dimensions	3.25"(W) x 2.98"(H) x 7.709"(D) not including lens
Mass	~600g
Power	12VDC, ~10 Watts
Operating Temperature	-10° C to +50° C (environmental enclosure will provided extended temperatures with fan / heater)
Operating Humidity	5%-95%, Non-condensing
Interface	RJ45 twisted pair cable, 10/100baseT Ethernet
Lens Mount	SLR Canon Bayonet-Mount - lens not included
Image Buffer	48 MB standard, 128MB optional

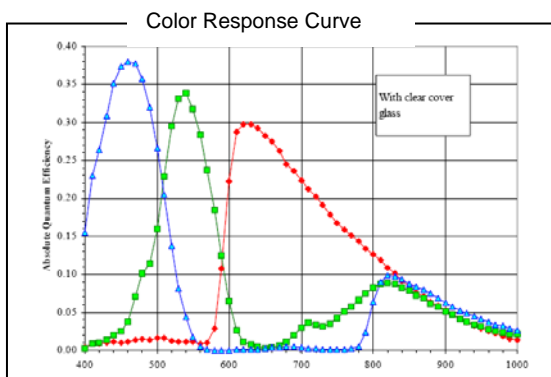
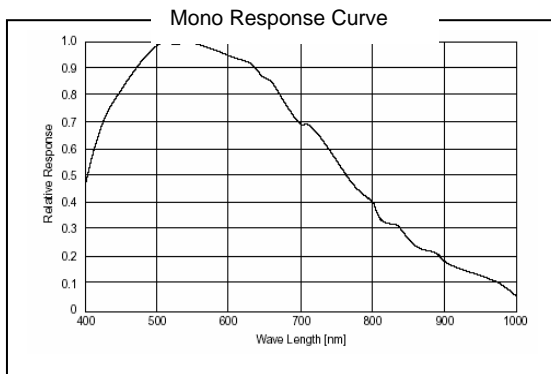
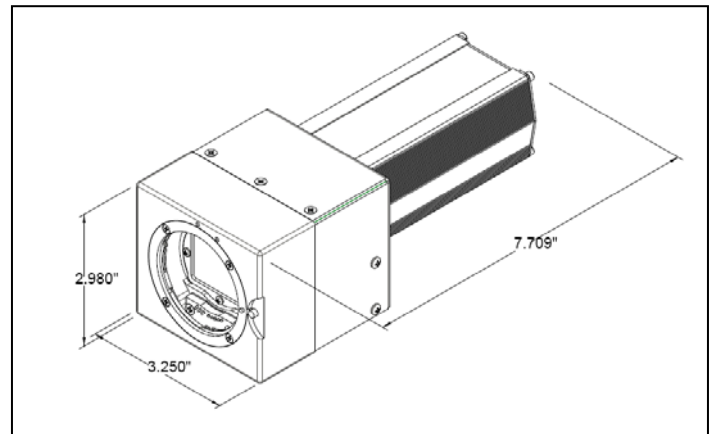
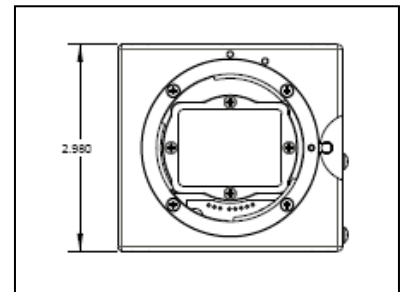
Recommended PC Specifications

O/S: Windows 2000 (SP 3), or XP (SP 1)
CPU: 2.8GHz or above Pentium computer (required for full frame rate preview)

600Mhz or above Pentium compatible computer (for basic functionality)

Network: 100 Mbps Ethernet LAN
Browser: Internet Explorer v6.0

Mechanical Drawings:



Ordering Information

- Le259C – 2.0 Megapixel Canon-Mount Color Camera
- Le259M – 2.0 Megapixel Canon-Mount Monochrome Camera